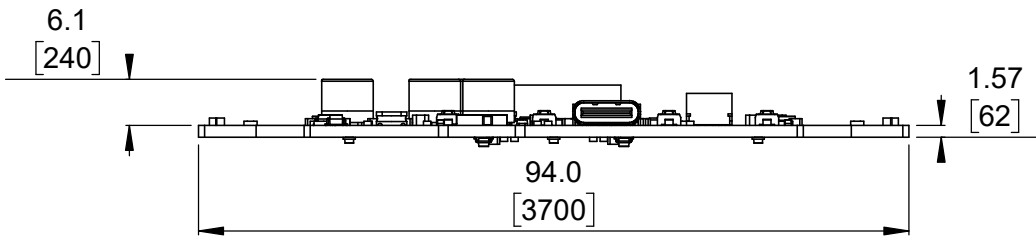


① Top view (actual size)
Scale 1:1

② Isometric view
Scale 3:4



③ Long profile
Scale 1:1

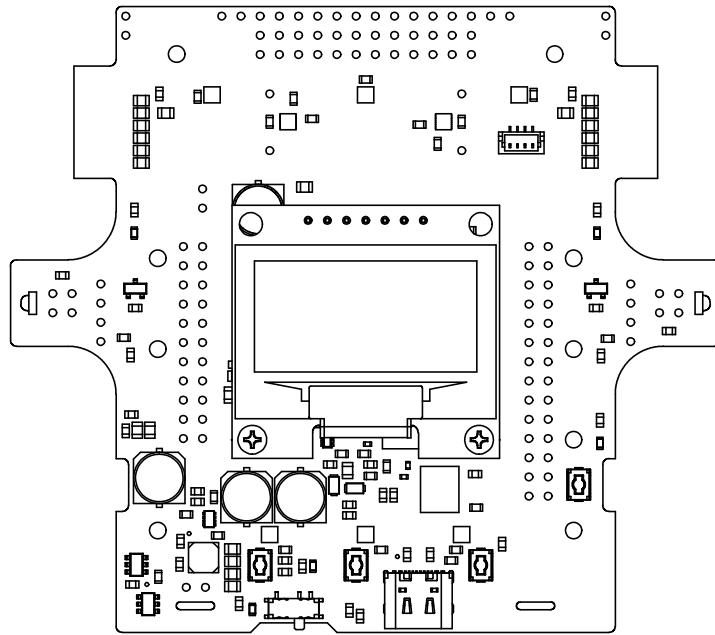
④ Short profile
Scale 1:1

1. To get the specified scale, select 100% in print settings.
2. Drill location tolerance: ± 0.1 [± 5].
3. Board edge tolerance: ± 0.3 [± 10].

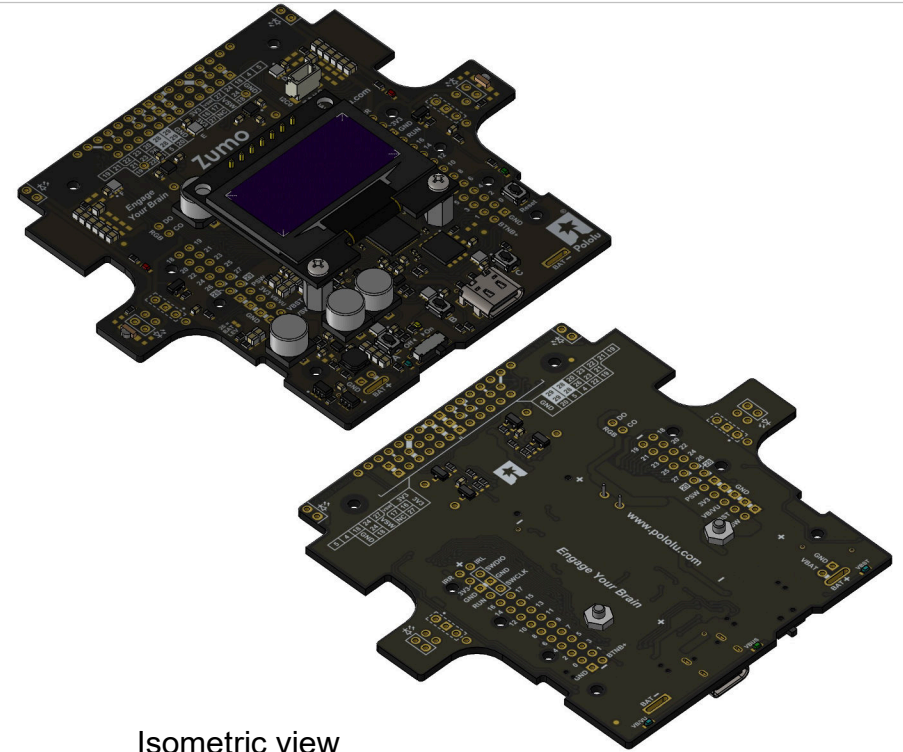
<https://www.pololu.com/product/5014>

Name: Zumo 2040 OLED Main Board		Item number: 5014	
Drawing date: 22 November 2023		Dev code: zum03a	
Units: mm [mil]	Material: mixed		

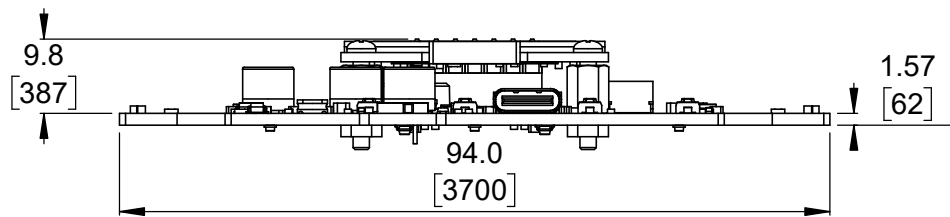




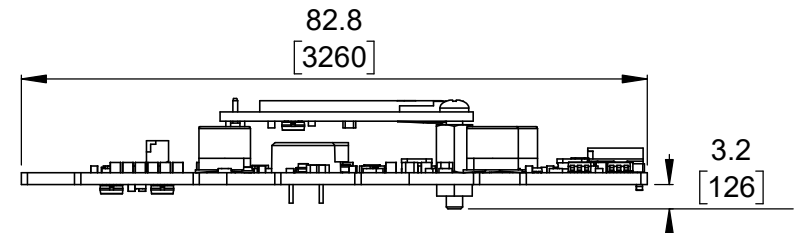
① Top view (actual size)
(with optional buzzer and OLED display)
Scale 1:1



② Isometric view
(with optional buzzer and OLED display)
Scale 3:4



③ Long profile
(with optional buzzer and OLED display)
Scale 1:1



④ Short profile
(with optional buzzer and OLED display)
Scale 1:1

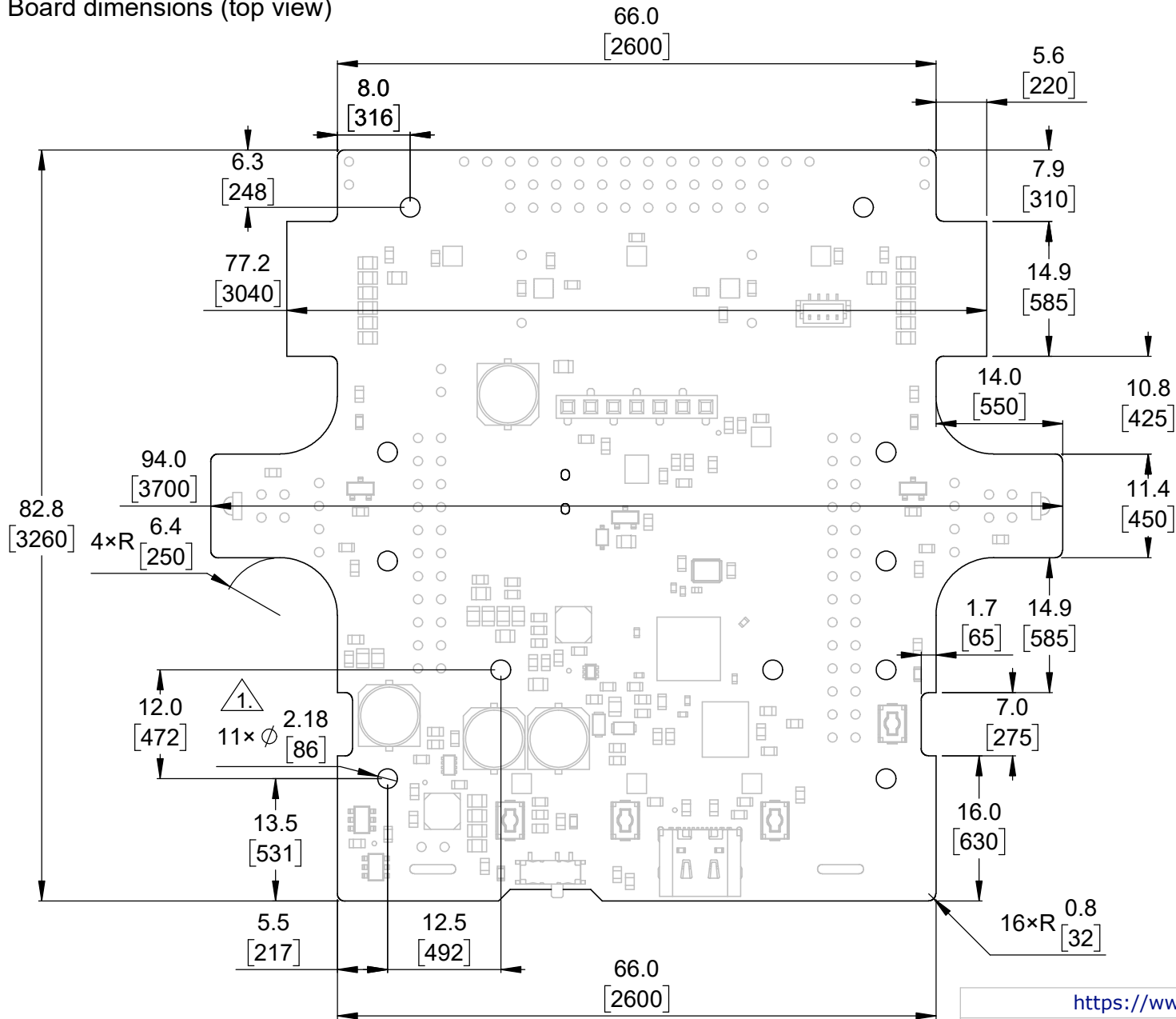
1. To get the specified scale, select 100% in print settings.
2. Drill location tolerance: ± 0.1 [± 5].
3. Board edge tolerance: ± 0.3 [± 10].

<https://www.pololu.com/product/5014>

Name: Zumo 2040 OLED Main Board		Item number: 5014	
Drawing date: 22 November 2023		Dev code: zum03a	
Units: mm [mil]		Material: mixed	



Board dimensions (top view)

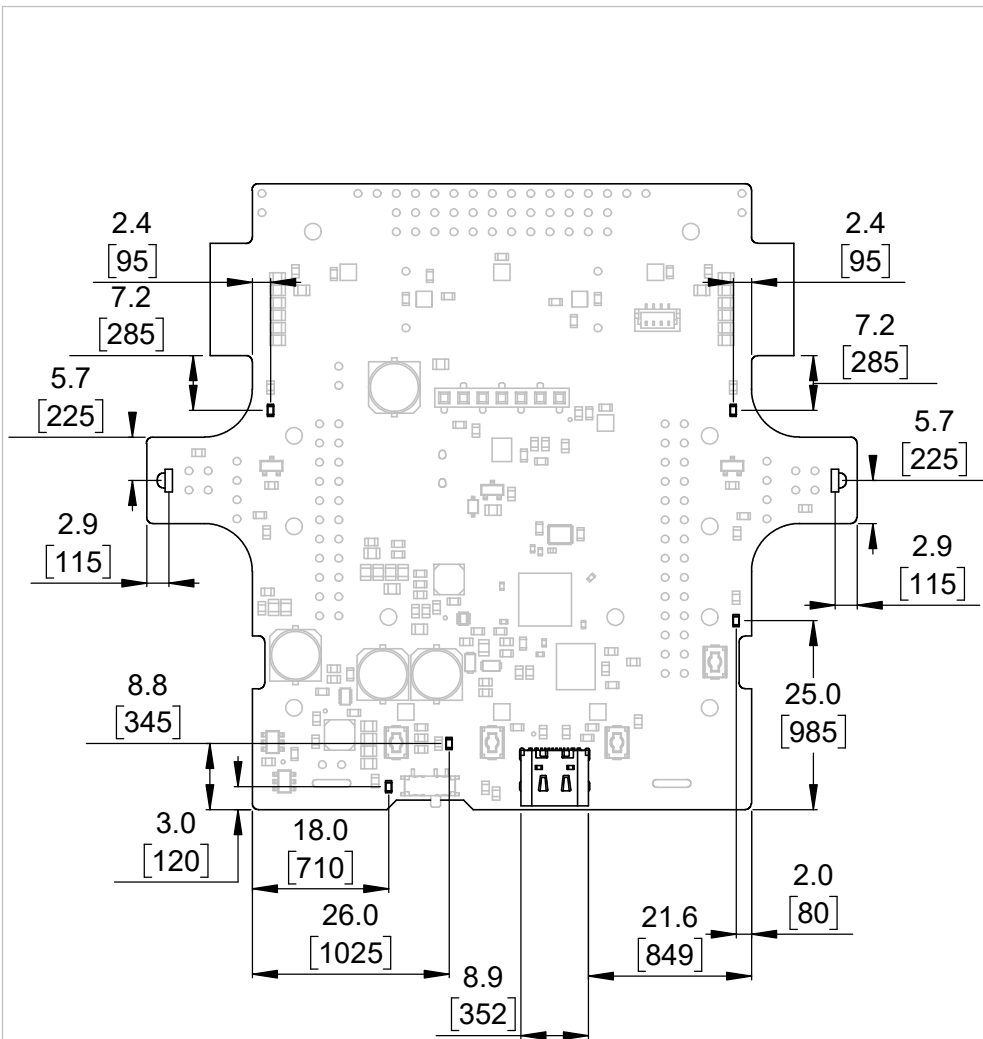


1. Intended for #2 and M2 screws.
2. To get the specified scale, select 100% in print settings.
3. Drill location tolerance: ± 0.1 [± 5].
4. Board edge tolerance: ± 0.3 [± 10].

Scale 3:2

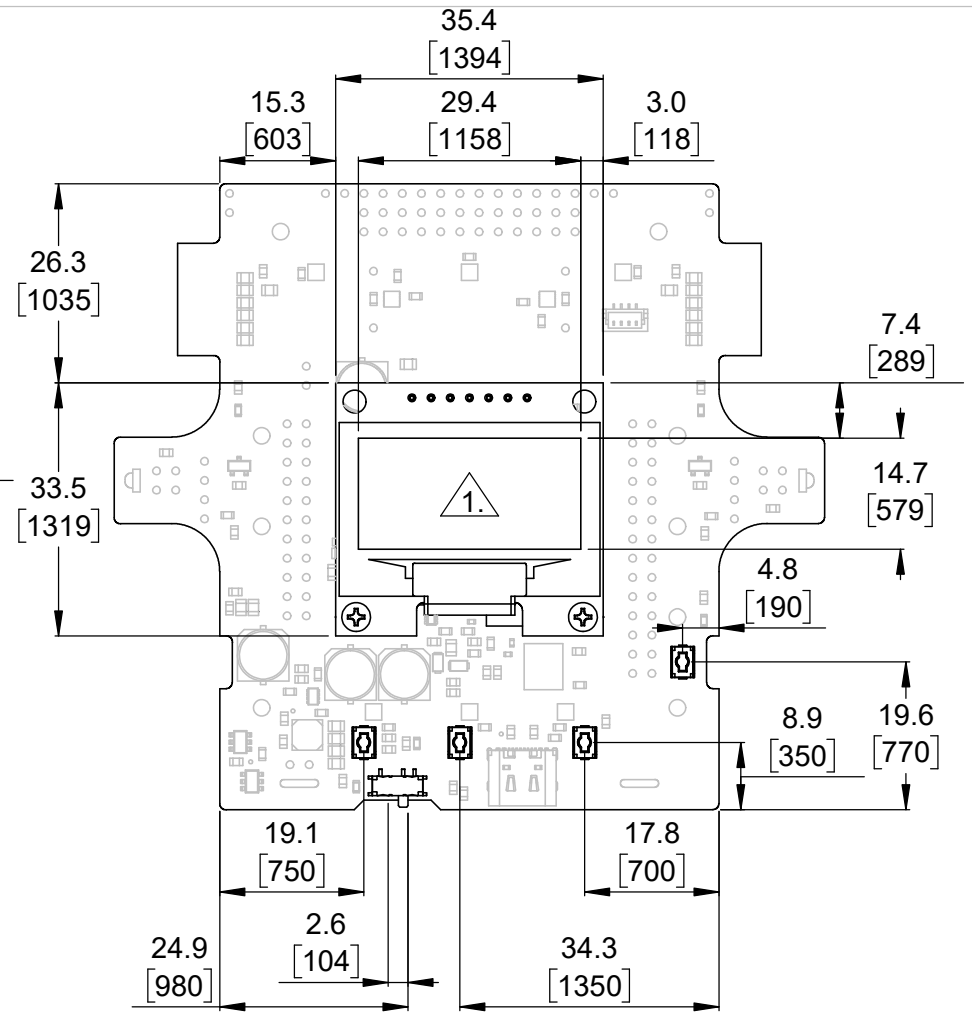
<https://www.pololu.com/product/5014>

Name: Zumo 2040 OLED Main Board		Item number: 5014	
Drawing date: 22 November 2023		Dev code: zum03a	
Units: mm [mil]		Material: mixed	



① User interface elements

Scale 1:1




② User interface elements (with OLED display)

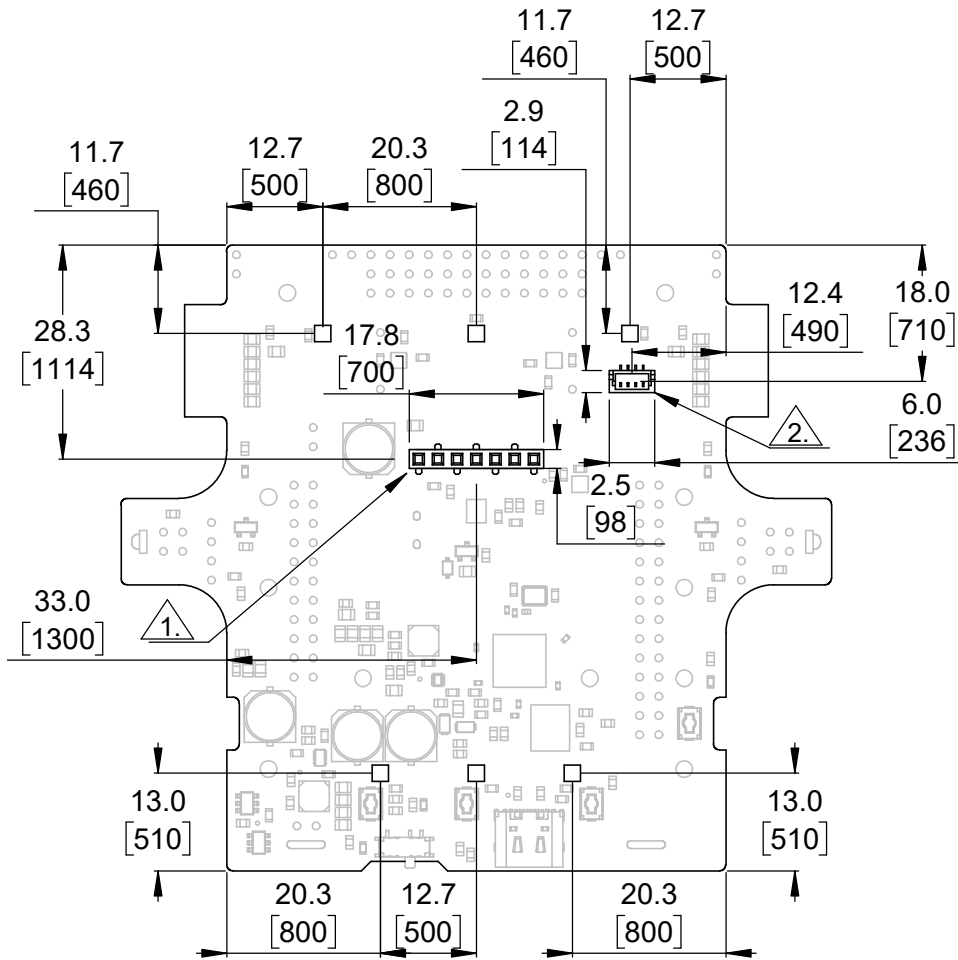
Scale 1:1



1. OLED display active area (1.3" diagonal).
2. To get the specified scale, select 100% in print settings.
3. Drill location tolerance: ± 0.1 [± 5].
4. Board edge tolerance: ± 0.3 [± 10].

<https://www.pololu.com/product/5014>

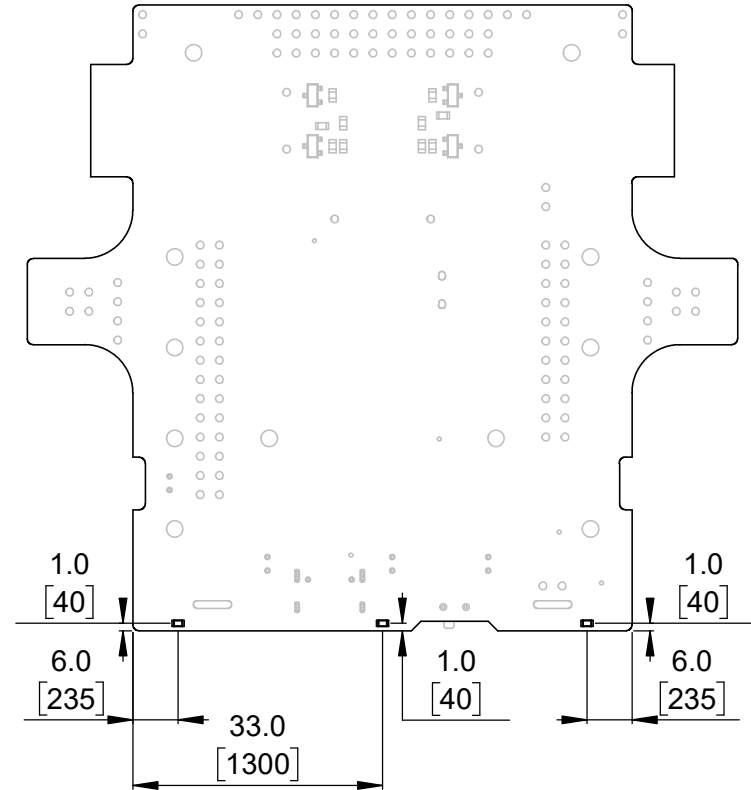
Name: Zumo 2040 OLED Main Board		Item number: 5014
Drawing date: 22 November 2023	Dev code: zum03a	 © 2023 Pololu Corporation
Units: mm [mil]	Material: mixed	



Addressable LEDs and connectors
(top view)

1

Scale 1:1



LEDs (bottom view)

2

Scale 1:1



1. 7-pin low-profile female header, 2.54 mm [100 mil].



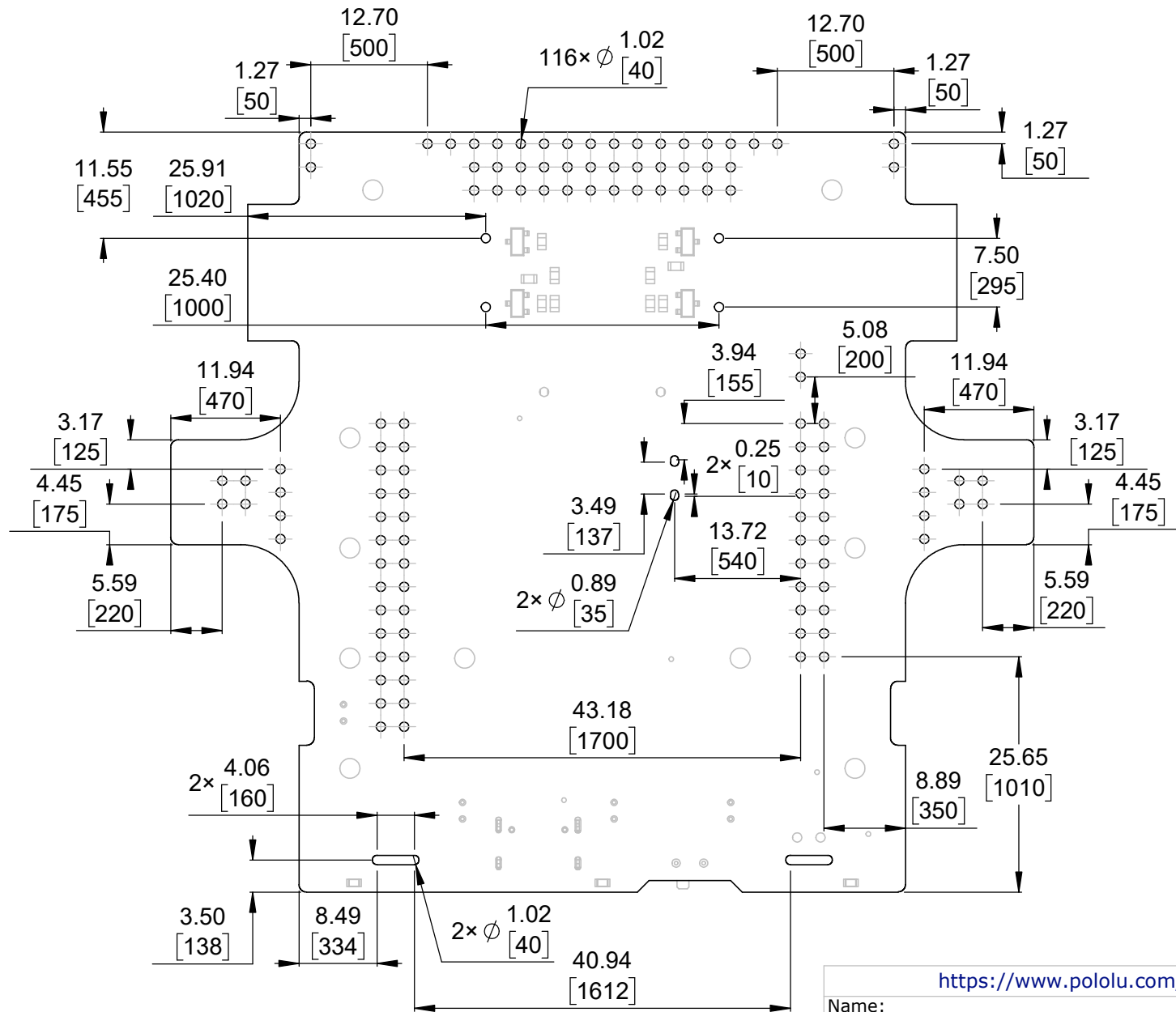
2. Top-entry, 4-pin male JST SH-type connector.

- 3. Grid lines indicate 2.54 mm [100 mil] spacing.
- 4. To get the specified scale, select 100% in print settings.
- 5. Drill location tolerance: ± 0.1 [± 5].
- 6. Board edge tolerance: ± 0.3 [± 10].

<https://www.pololu.com/product/5014>

Name: Zumo 2040 OLED Main Board		Item number: 5014
Drawing date: 22 November 2023	Dev code: zum03a	 © 2023 Pololu Corporation
Units: mm [mil]	Material: mixed	

Connector callouts (bottom view)



1. Grid lines indicate 2.54 mm [100 mil] spacing.
2. To get the specified scale, select 100% in print settings.
3. Drill location tolerance: ± 0.1 [± 5].
4. Board edge tolerance: ± 0.3 [± 10].

Scale 3:2

<https://www.pololu.com/product/5014>

Name: Zumo 2040 OLED Main Board		Item number: 5014	
Drawing date: 22 November 2023		Dev code: zum03a	
Units: mm [mil]	Material: mixed		

