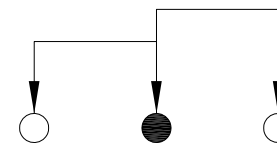
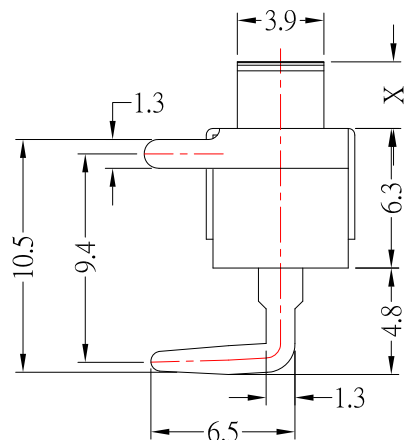
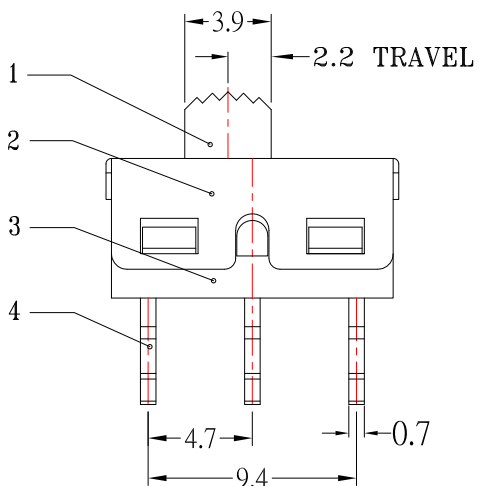


P.C.B LAYOUT
BOTTOM VIEW



SCHEMATIC (NON-SHORTING)



Model No.	X(mm)
SS-12D11-G3	3mm
SS-12D11-G4	4mm
SS-12D11-G5	5mm
SS-12D11-G6	6mm
SS-12D11-G7	7mm
SS-12D11-G8	8mm
SS-12D11-G9	9mm

SPECIFICATIONS

- 1.RATING: 125VAC, 1.5A
- 2.CIRCUIT: 1C-2P
- 3.TIMING: NON SHORTING
- 4.TRAVEL: 2.2 mm
- 5.OPERATING FORCE: 300 ± 100gf
- 6.CONTACT RESISTANCE: 200 mΩ
- 7.LIFE:10,000 CYCLES

7	STEEL BALL	STEEL	1	NATURAL
6	SPRING	STEEL WIRE	1	NATURAL
5	CONTACT	BRASS	1	Ag PLATED
4	TERMINAL	BRASS	3	Ag PLATED
3	CASE	PA9T	1	BLACK
2	COVER	SUS	1	NATURAL
1	KNOB	PA9T	1	BLACK
NO.	PARTS	MATERIALS	Q'TY	FINISH

8	更新柄長選項	Jack	011420
7	新增PCB LAYOUT尺寸	Jack	010319
6	更新尺寸	Jack	112118
5	更新Rating	Jack	090418
4	更新材質	Jack	111517
3	新增PCB LAYOUT尺寸	Jack	092217
2	更新MODLE及PCB LAYOUT	Jack	012115
1	更新CONTACT RESISTANCE	Jack	111914
ITEM NO.	DESCRIPTION	DRAWN	DATE

CONTACT 建倚科技股份有限公司
CONTACT TECHNOLOGY CORP.

TOLERANCE UNLESS OTHERWISE STATED:
 Up to 5 ±0.2
 Above 5 ~ 15 ±0.3
 Above 15 ~ 30 ±0.4
 Above 30 ~ 50 ±0.5
 Angle ±0.3

3RD. ANGEL'S

UNITS MM

DRAWN BY:	DATE	MAT'L	TITLE	SIZE
Jack Lu	01/14/20		SWITCH	A4
CHECKED BY:	DATE	FINISH	MODLE	VER
Jacky Chen	01/14/20		SLIDE SWITCH	R8
APPROVED BY:	DATE	SCALE	DWG NO.	
Tony Kao	01/14/20	1 : 1	SS-12D11-Gx-S191	
		SHEET NO.	PART NO.	
		1 of 1	SS-12D11-Gx-S191	