
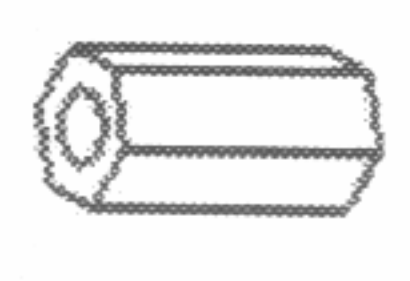



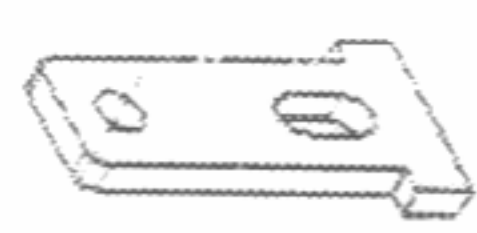

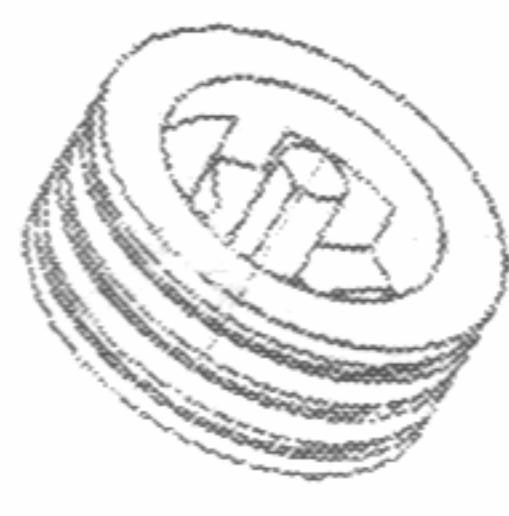

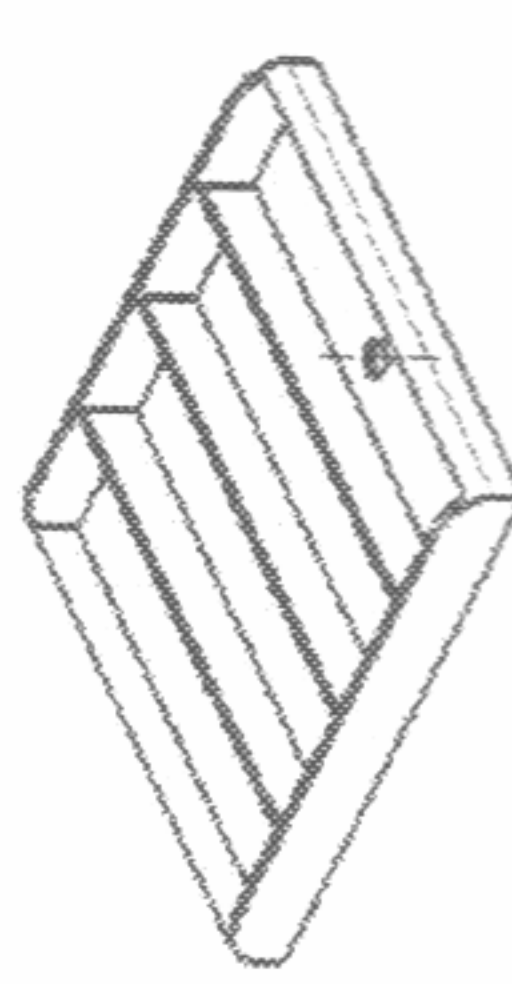
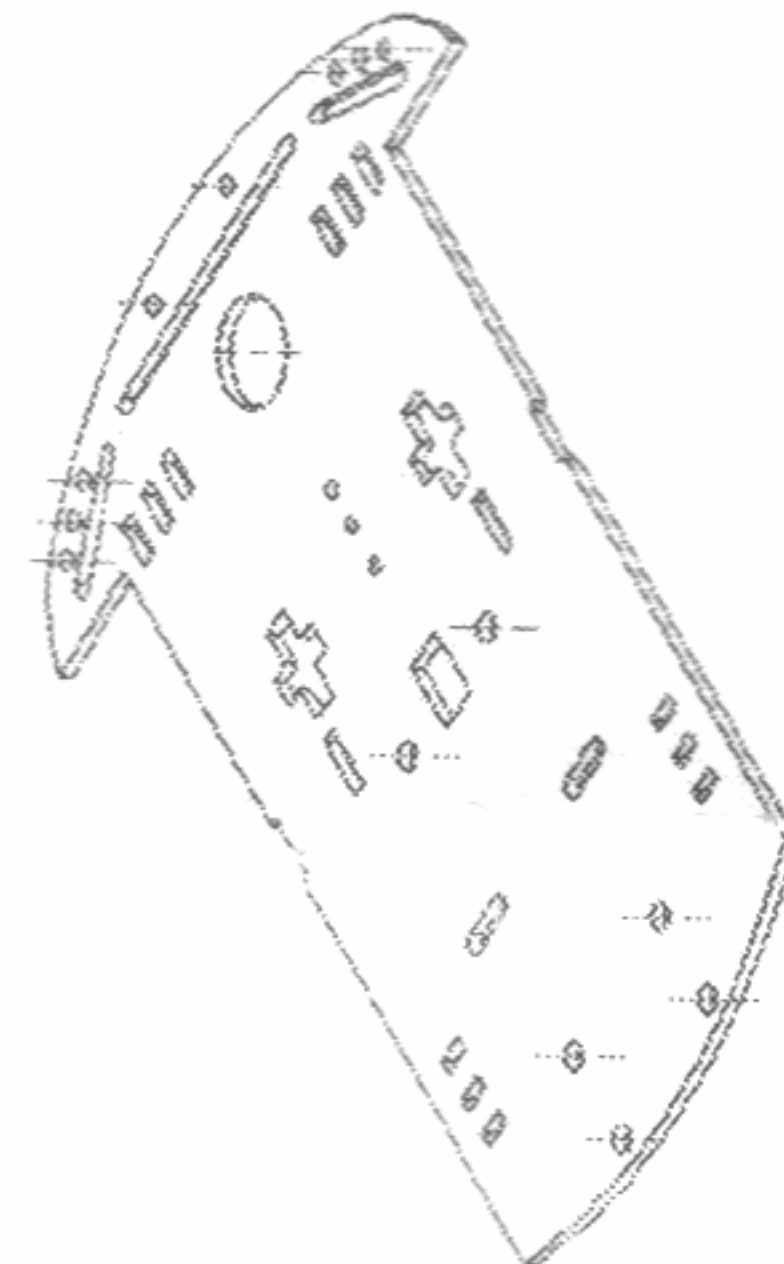
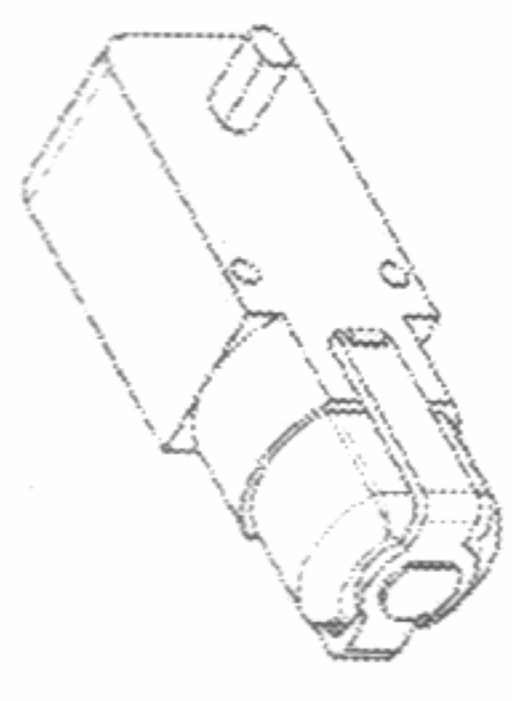
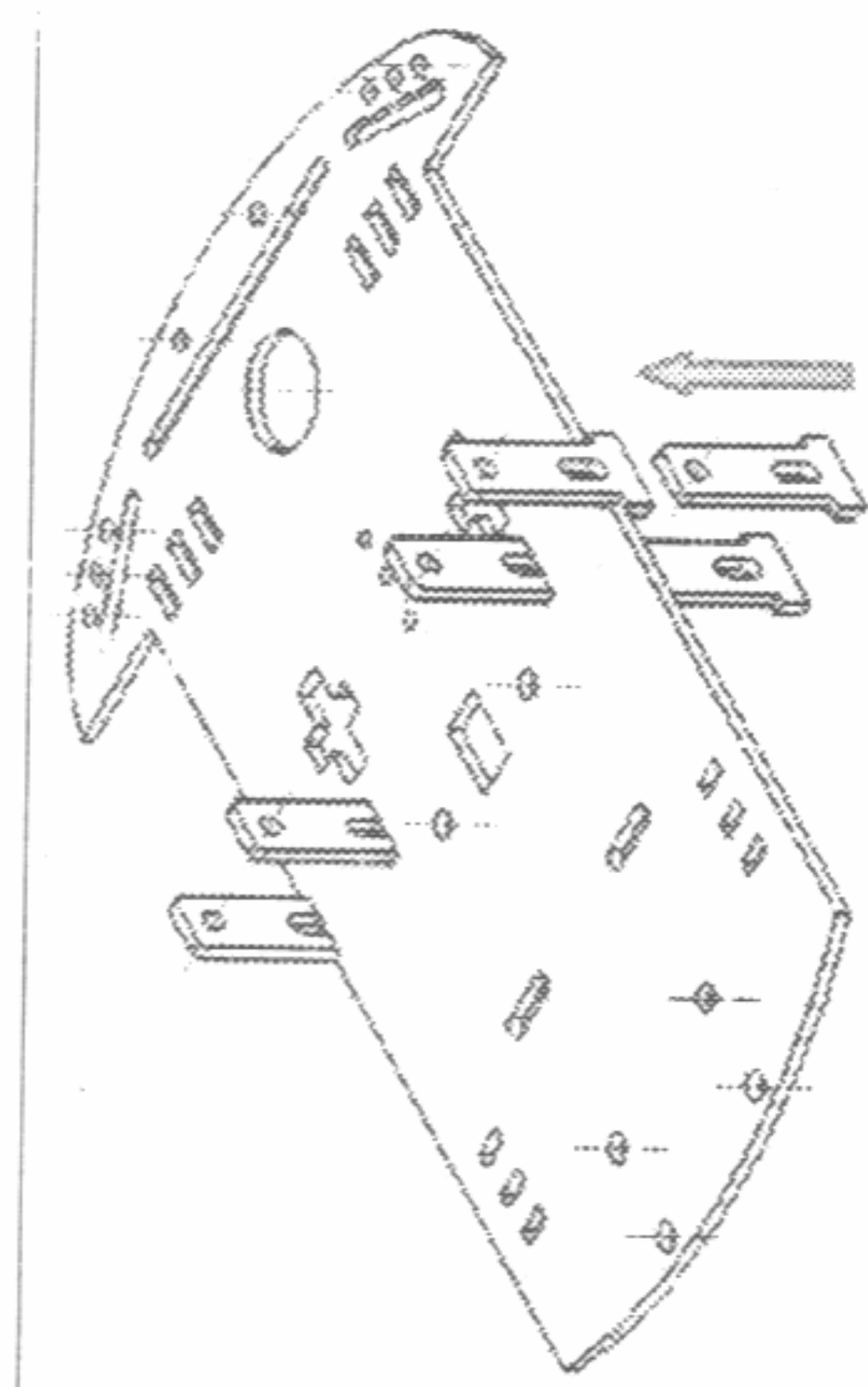


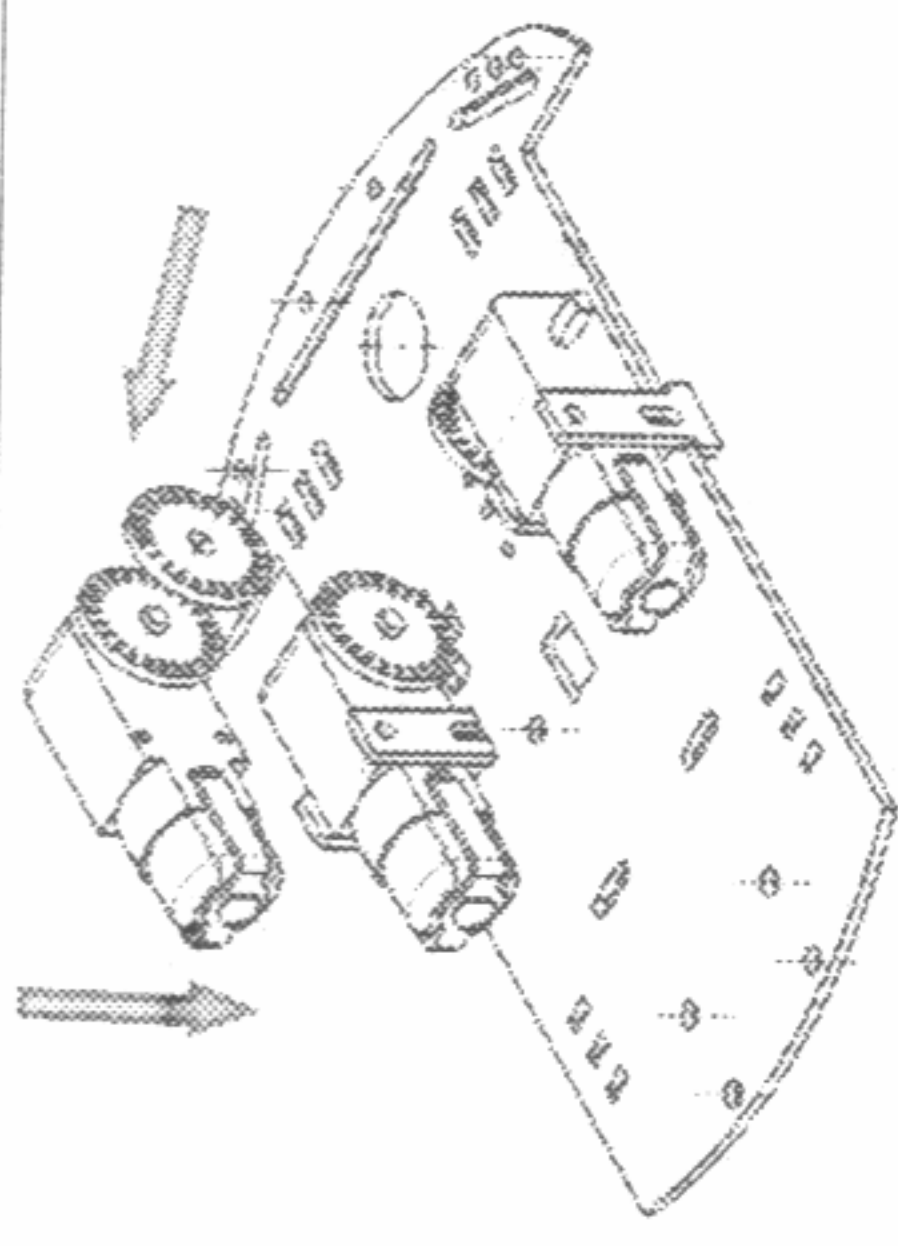
ZK-2 Installation drawings

Thank you for purchasing the ZK-2 smart car, this car is the high price of the car chassis built specifically for robot entry car motor, power supply system can support 3V~12V, and with the speed of mouth, rudder mouth, tracing, barrier fixed position; convenient for expanding the test you. Collect the product after should be the first time reference configuration list check element is complete, if produce component missing case please contact the dealer. Please refer to the instructions in the installation of the installation, so that rapid installation and use.

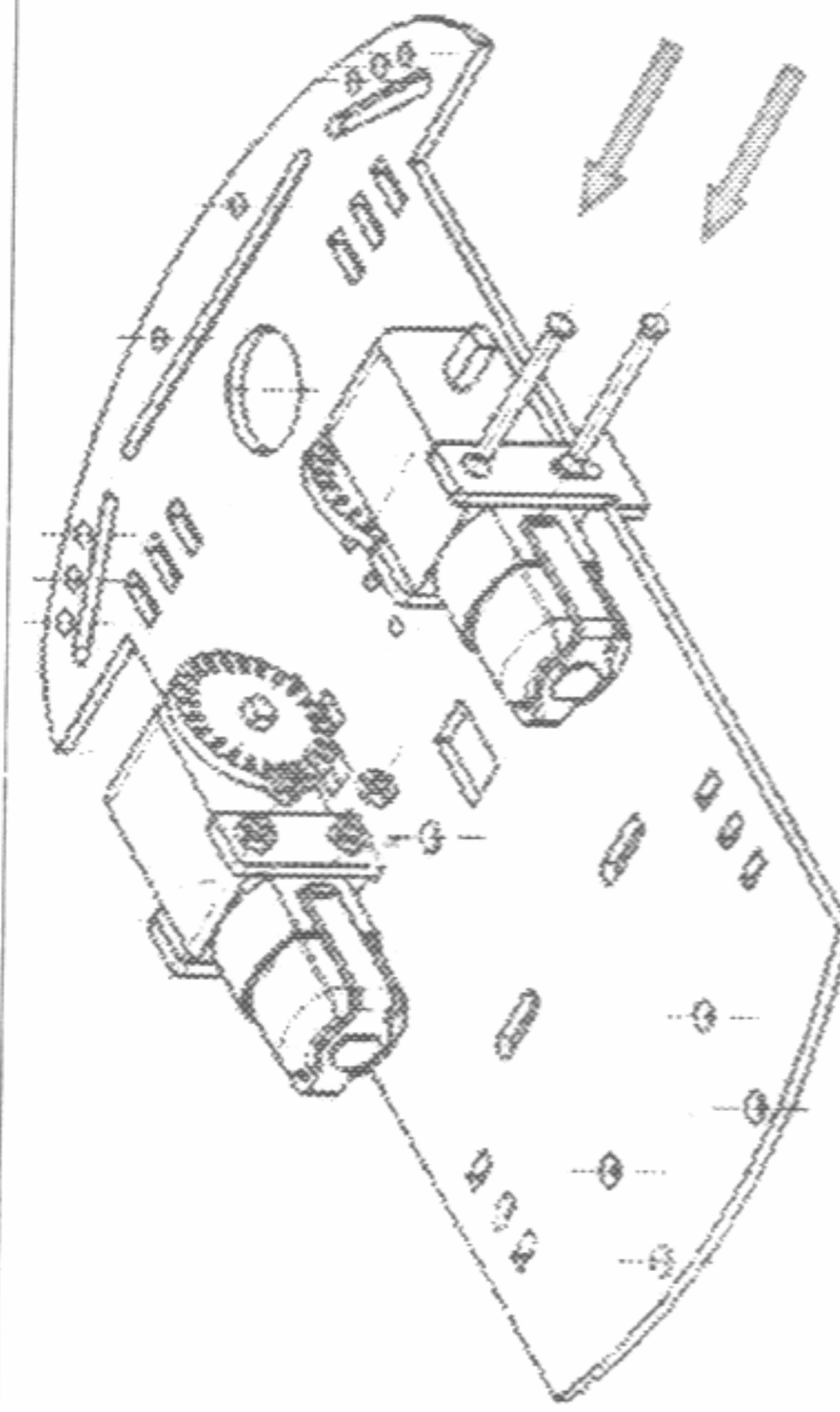
		
The 4 M3*30 screws	M3*8 copper cylinder 4	The 10 M3*8 screws
		
Encoder 2	M3 nut 10	The T type small bracket 4
		
Rocker switch 1	Tire 2	The 1 universal wheels
		
The battery box 1	Chassis 1	The gear motor 2



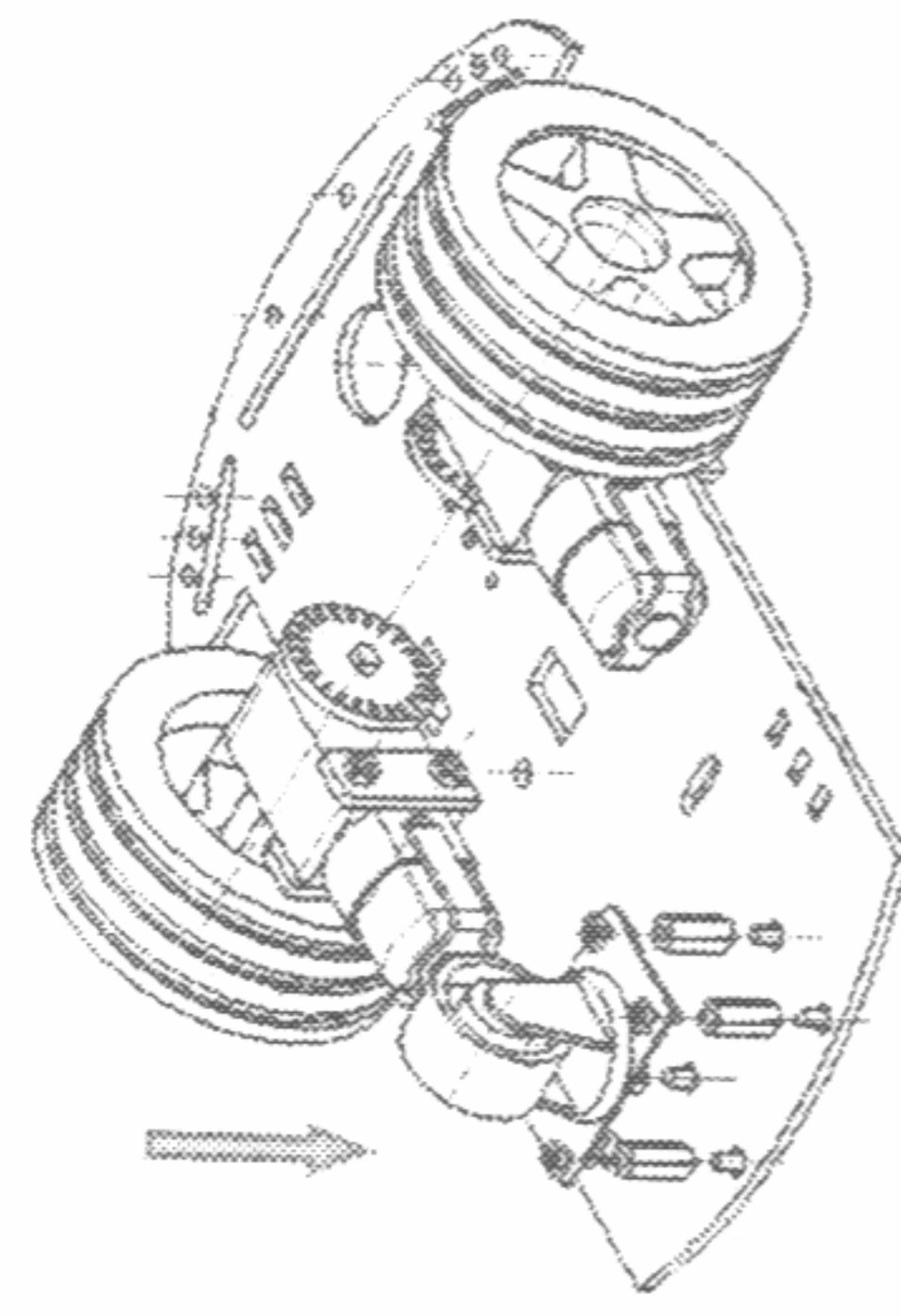
1、 First the yellow paper to protect the car chassis, fasteners, the encoder is torn off, and then put the fastener insert car chassis



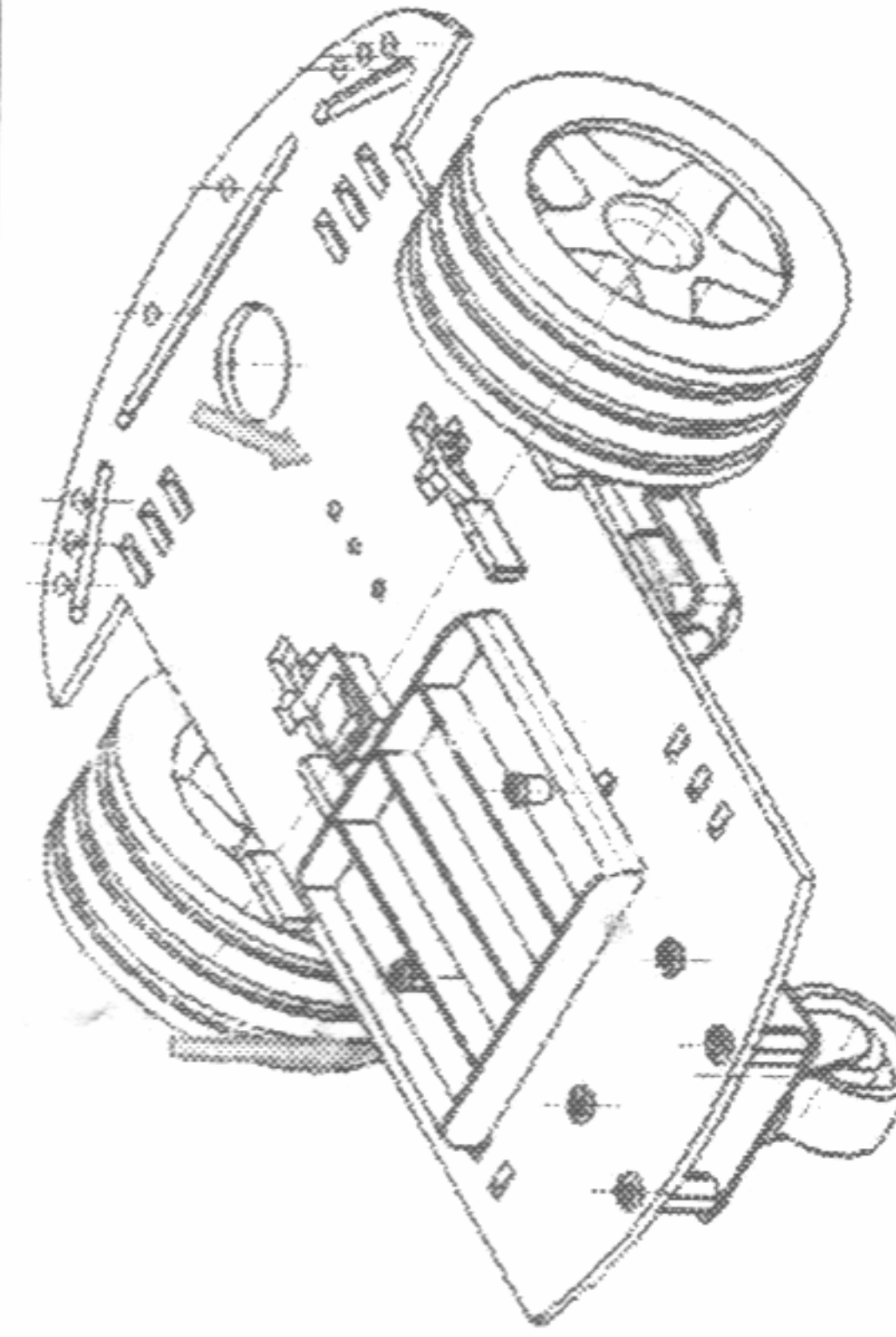
2、 Install the encoder, the motor is fixed on the trolley, with M3 screw.
(Note: motor lead copper outward, namely the wheel end.)



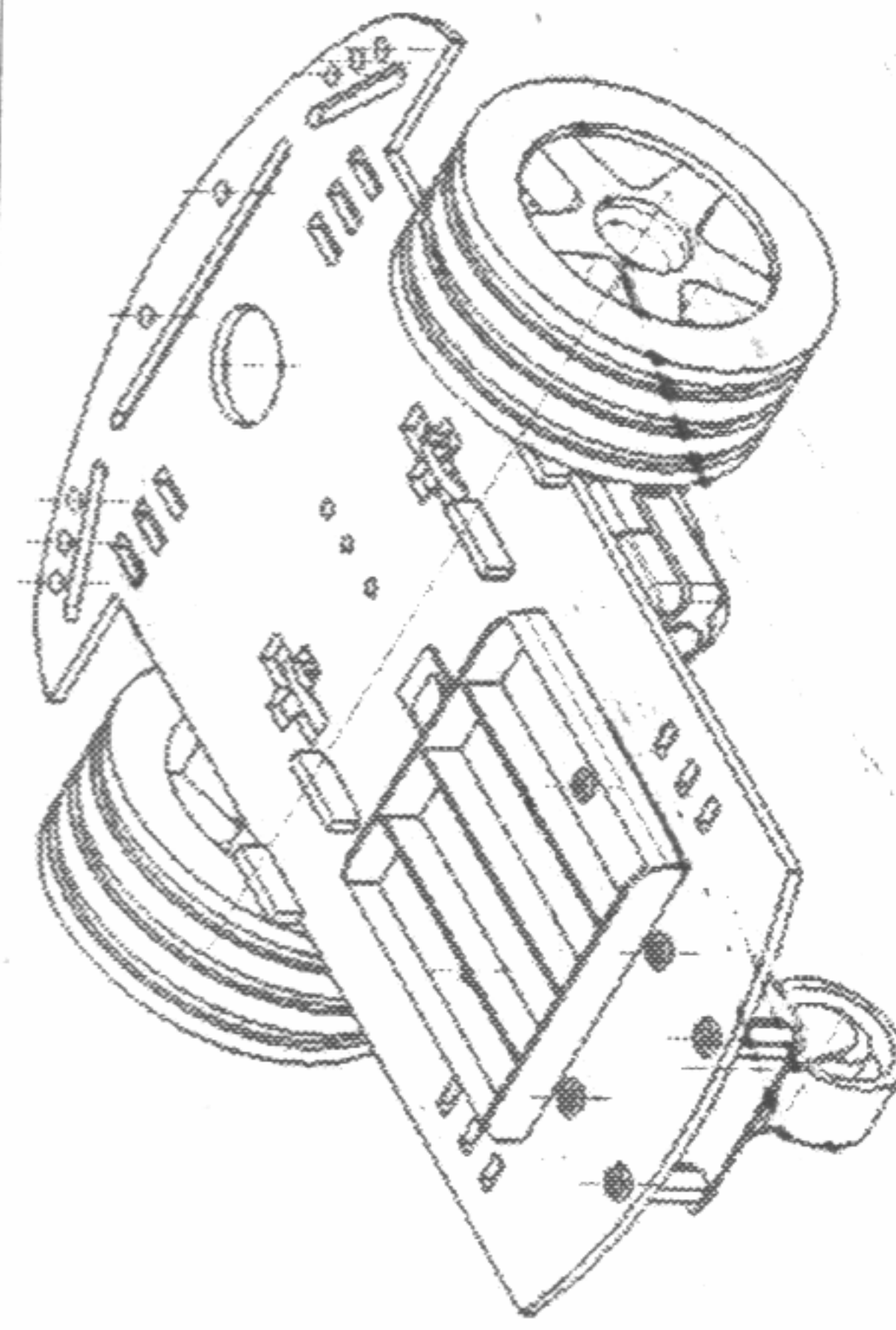
3、 The motor is fixed to the car chassis, insert the screws, tighten the nut.



4、 In the 4 pillars, is screwed into the 8 screws fixed universal wheel, collect the pinch motor (protection of fasteners) is inserted into the wheel.



5、 The battery box is fixed on the chassis by the screw nut, and install the switch.



Congratulations, you have finished the ZK-2 assembly, of course, there are other methods of assembly, waiting for what, please test it. I wish you success!

Fig. effect after

Note: do not fall from a height, the chassis is made of organic glass; motor do not use power supply system more than the use of 15V, easy to cause the motor burned. Wire under conditions allowing welding on the motor, please, please be sure to pay attention to safety in welding, without welding tool can also be tied directly used at both ends of the motor.