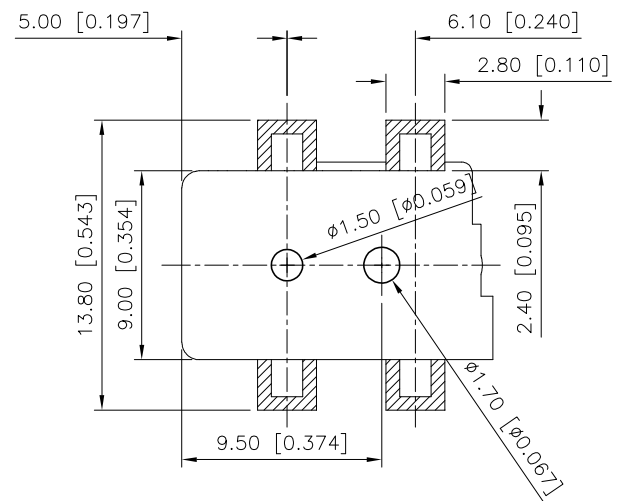
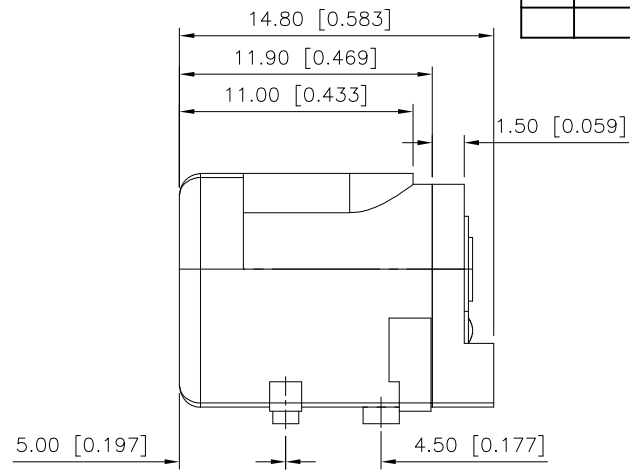
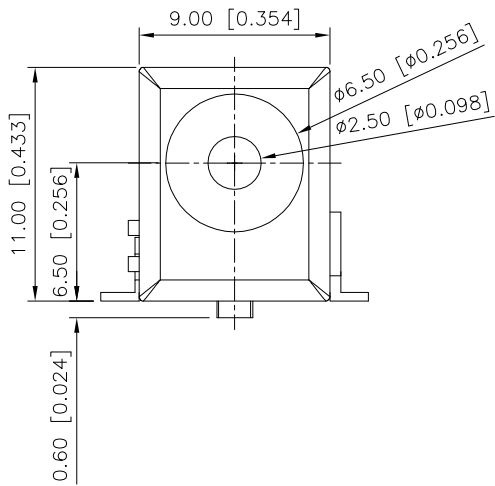
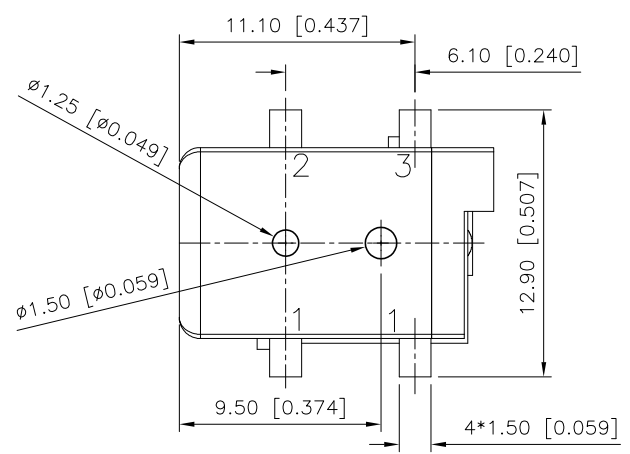


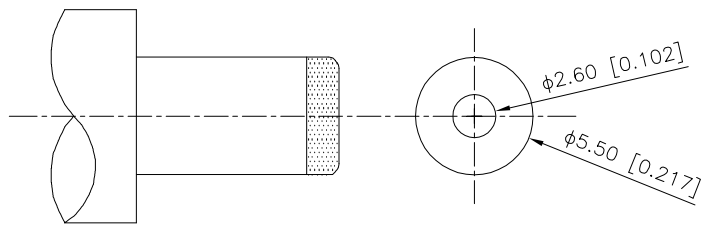
REVISIONS					
REV.	ECN NO.	LOCATION	DESCRIPTION	DATE	DESIGN
A0	N/A		INITIAL RELEASE	2024.03.30	



PCB LAYOUT



- 技术规范:
1. 使用温度范围:  $-40^{\circ}\text{C} \sim 70^{\circ}\text{C}$ ;
  2. 额定负荷: DC 50V 5.0A;
  3. 接触阻抗:  $50\text{m}\Omega$  以下;
  4. 绝缘电阻:  $100\text{M}\Omega$  以上;
  5. 耐电压: AC 500V (50HZ)/min;
  6. 插拔力: 3~30N;
  7. 寿命: 5000次。

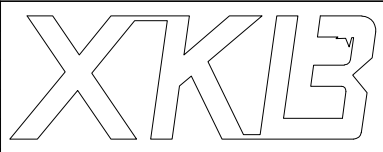


MATING PLUG  
Jack Insertion Depth: 8.9 mm

SCHEMATIC	
Model	DC-005-5.0A
Center Pin	$\varnothing 2.5 \text{ mm}$

	MATERIAL	PLATING
center pin	Brass	tin
terminal 1	Brass	tin
terminal 2	Phosphor Bronze	tin
terminal 3	Brass	tin
plastic	PBT	

ANGLAR	$\pm 5^{\circ}$
X.	$\pm 0.40$
X.x	$\pm 0.30$
X.xx	$\pm 0.20$
X.xxx	$\pm 0.15$
UNSPECIFIED TOLERANCES	



DESIGN	桑 葚
CHECKED	
APPROVED	

VIEW:	
UNIT:	mm/in
SIZE:	A4

MODEL TYPE:	DC POWER JACK
PART NO.:	DC-005-5.0A-2.5-SMT
DWG NO.:	