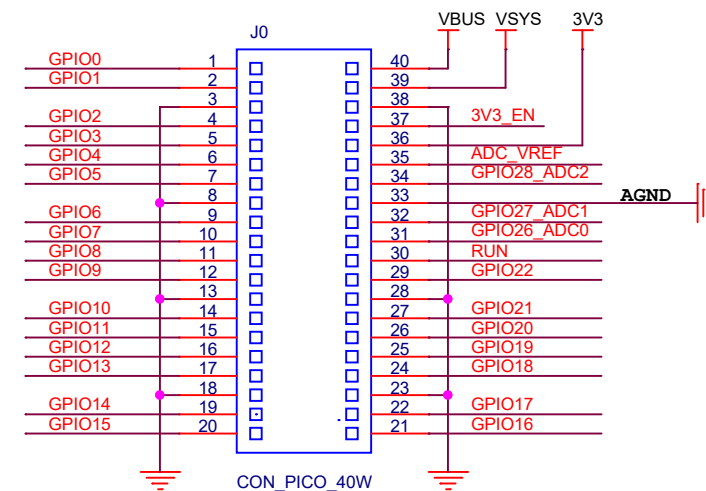
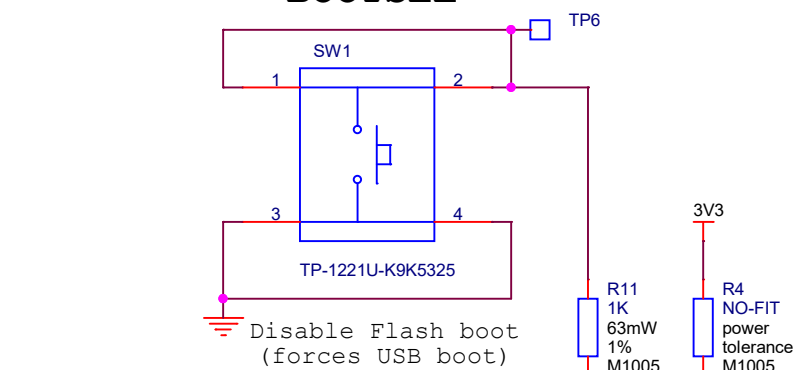


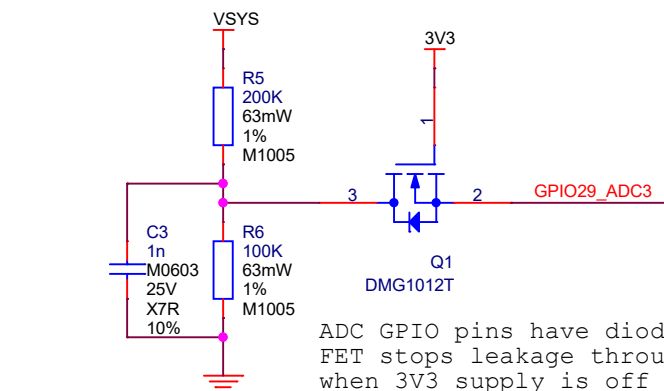
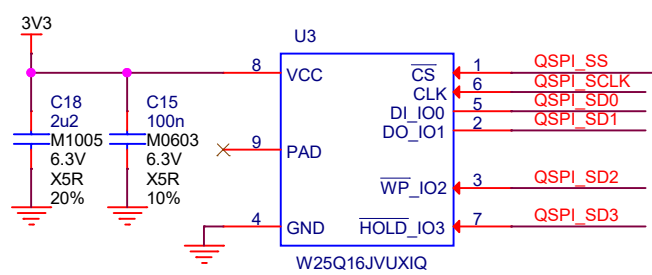
PS=0: PFM mode (default, best efficiency)
 PS=1: PWM mode (improved ripple but much worse efficiency at light loads)



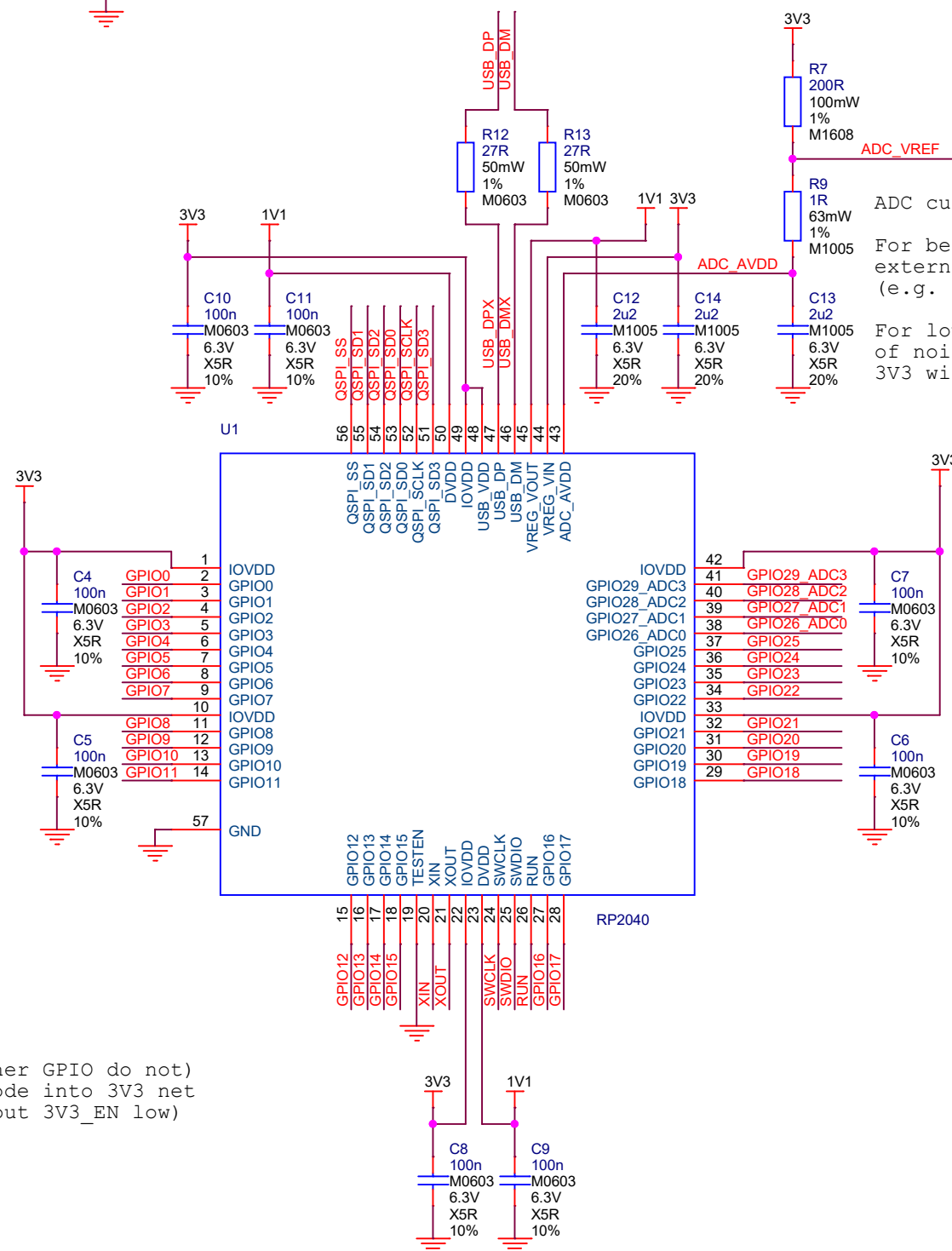
BOOTSEL



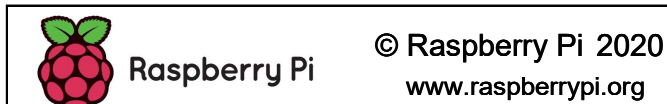
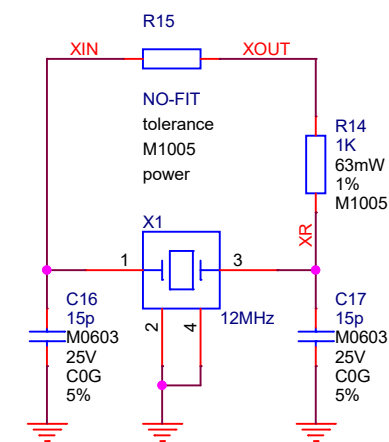
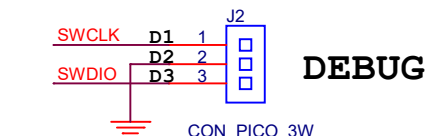
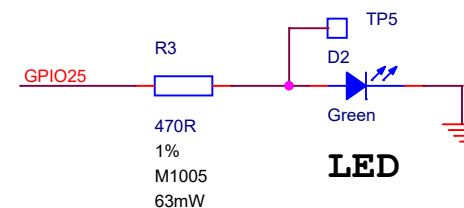
Disable Flash boot
 (forces USB boot)



ADC GPIO pins have diode to VDDIO (other GPIO do not)
 FET stops leakage through ADC3 pin diode into 3V3 net
 when 3V3 supply is off (VSYS present but 3V3_EN low)



ADC current = ~150µA
 For best performance use external 3.0V shunt ref (e.g. LM4040)
 For lower offset (at expense of noise) connect VREF to 3V3 with lower resistance



| | | | |
|-------------------|--------------------------|-------------|--------|
| Title | | Drawn By | |
| Raspberry Pi Pico | | James Adams | |
| Size | Ref | Rev | |
| A3 | RPI-PICO | 3 | |
| Date: | Friday, January 15, 2021 | Sheet | 1 of 1 |