

Bluetooth antenna interface, you need special software version

GSM antenna interface

Two LED module is used to determine the state, very useful.

SIM card circuit

Support automatic start when boot  
Level matching circuit

TTL level interface, can not connect 232

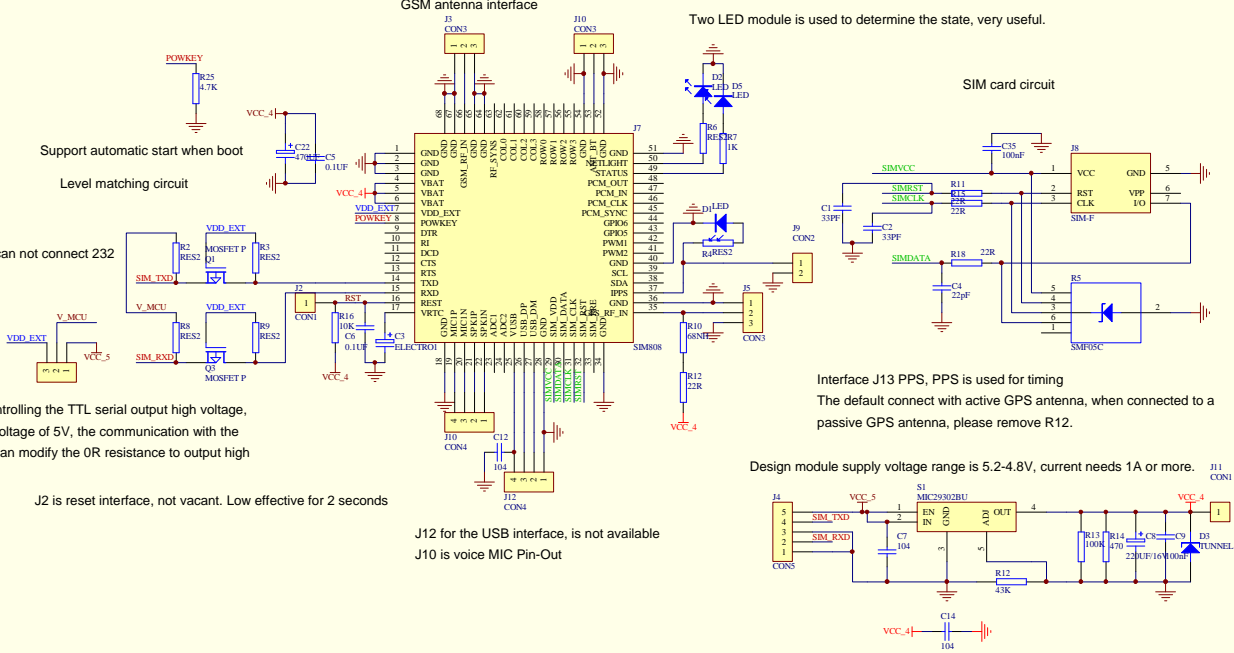
V\_MCU used for controlling the TTL serial output high voltage, default output high voltage of 5V, the communication with the microcontroller 5V, can modify the 0R resistance to output high voltage of 2.85V

J2 is reset interface, not vacant. Low effective for 2 seconds

J12 for the USB interface, is not available  
J10 is voice MIC Pin-Out

Interface J13 PPS, PPS is used for timing  
The default connect with active GPS antenna, when connected to a passive GPS antenna, please remove R12.

Design module supply voltage range is 5.2-4.8V, current needs 1A or more.



Title		
Size	Number	Revision
B		
Date:	12-May-2015	Sheet of
File:	F:\TB\pcb\2.0\SIM808 MyDesam.ddb	Drawn By: