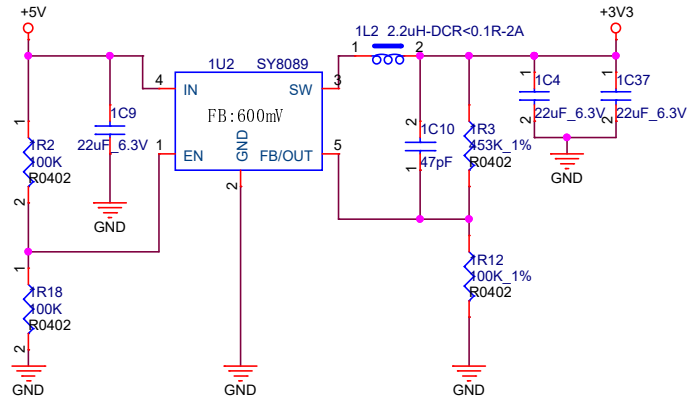
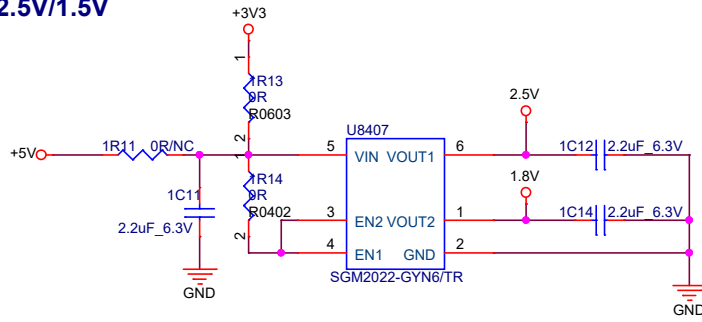


5V-3.3V

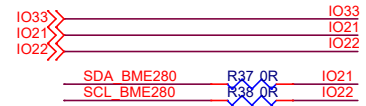
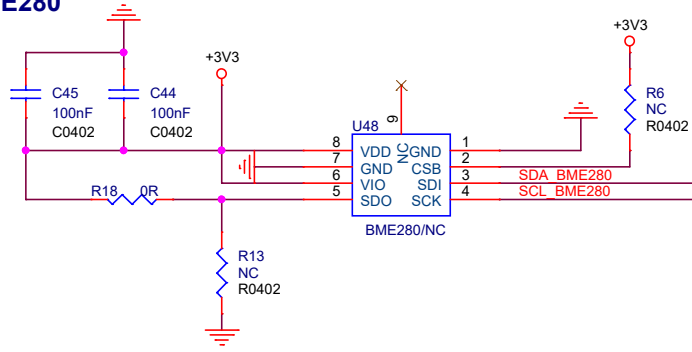


5V-2.5V/1.5V

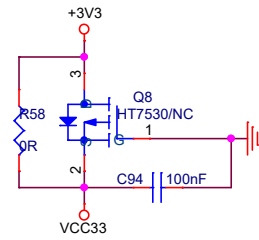
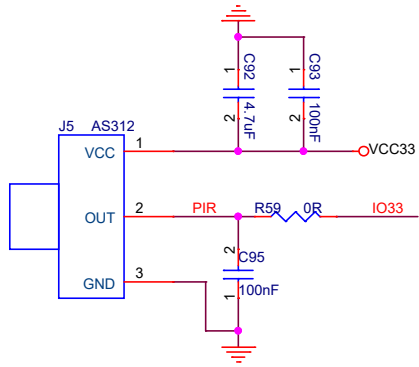


Title		OV2640_V1.7
Size A	Document Number	POWER
Date:	Tuesday, March 31, 2020	Sheet 1 of 5
	2	1

BME280



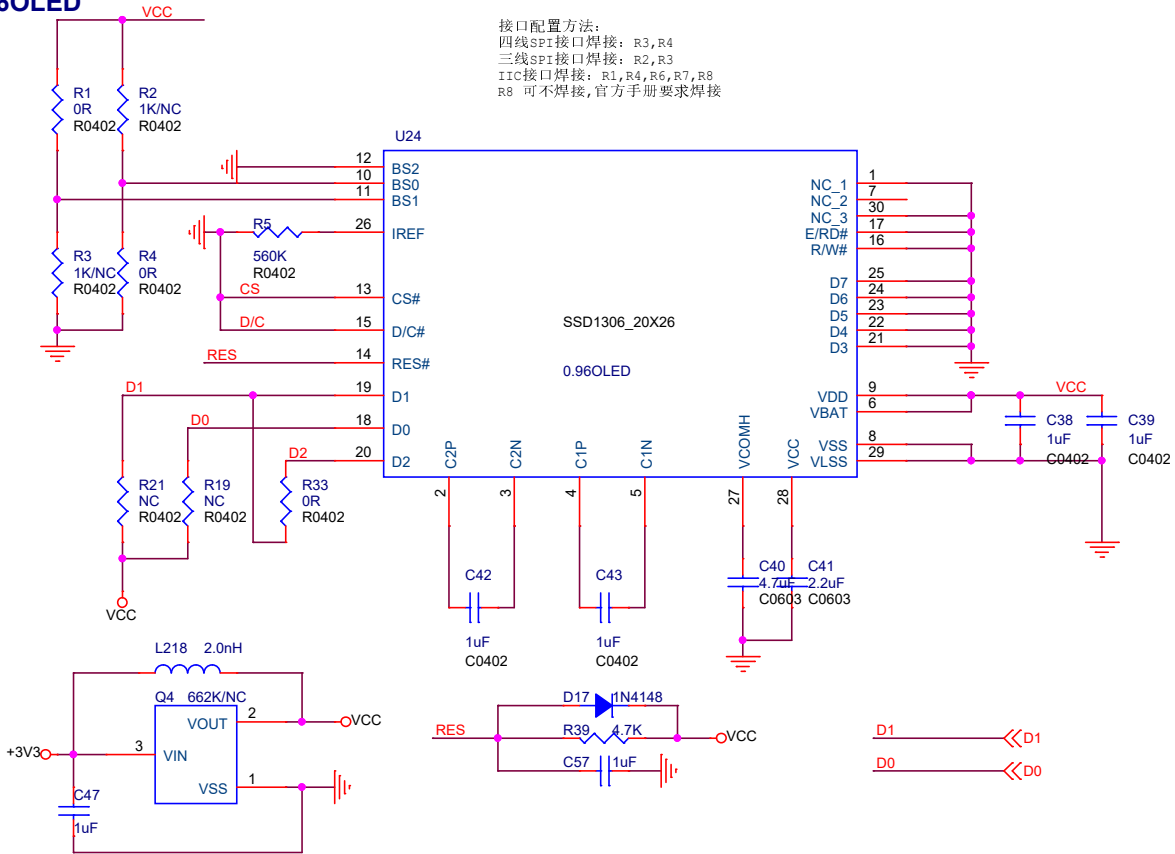
AS312



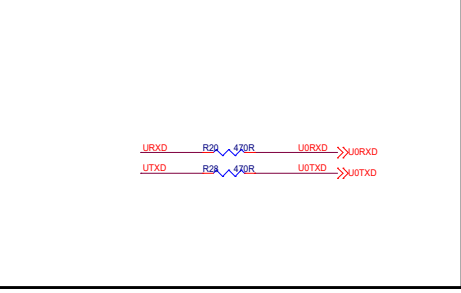
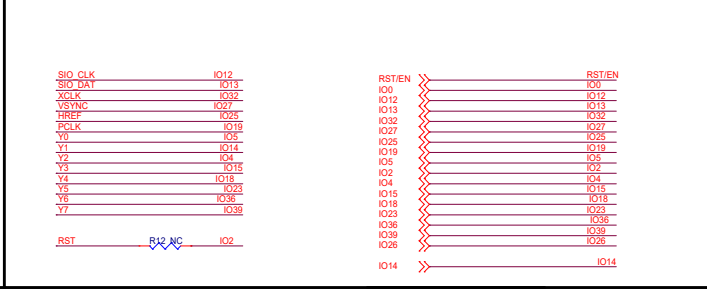
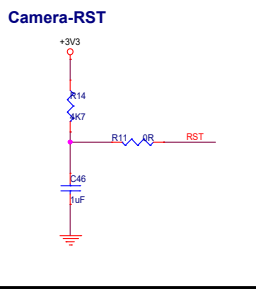
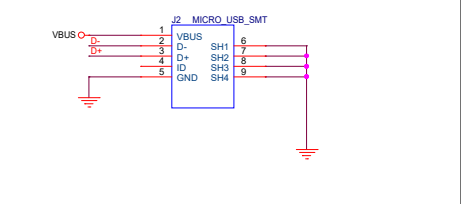
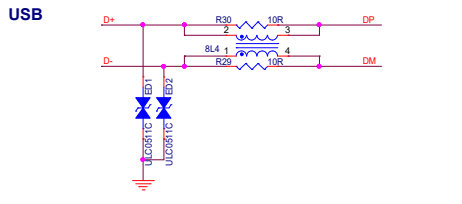
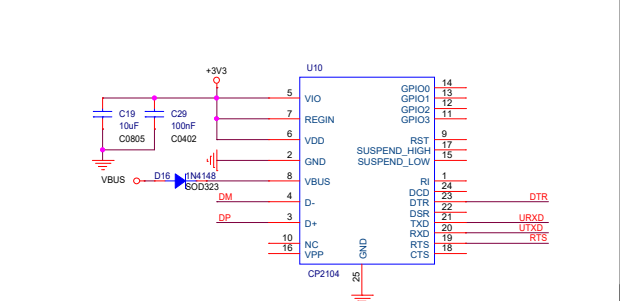
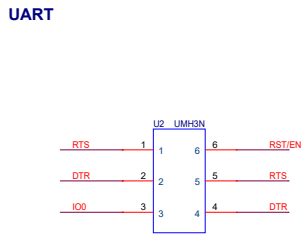
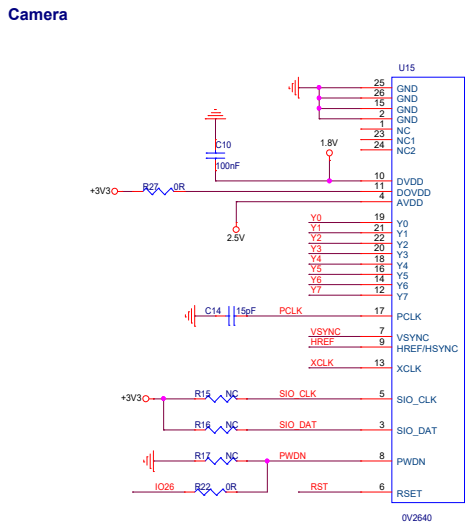
Title		
OV2640_V1.7		
Size	Document Number	Rev
A	2.PIR&BME280	V1.7
Date:	Tuesday, March 31, 2020	Sheet 2 of 5

0.96OLED

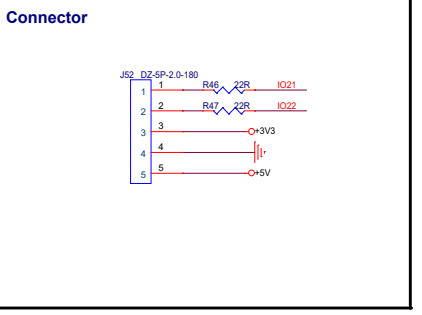
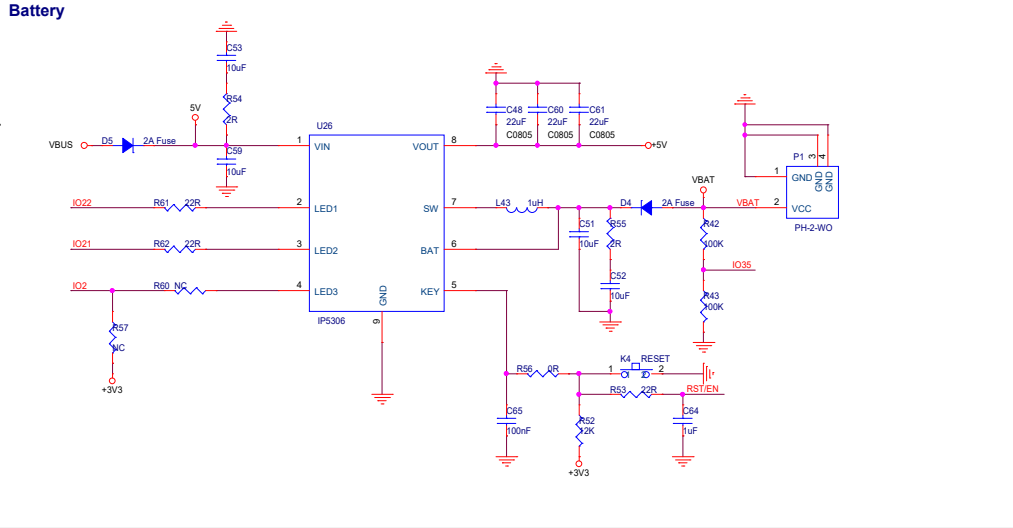
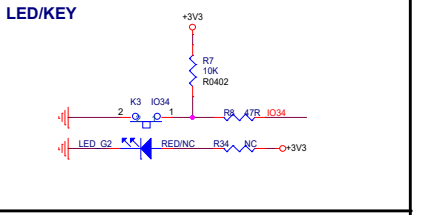
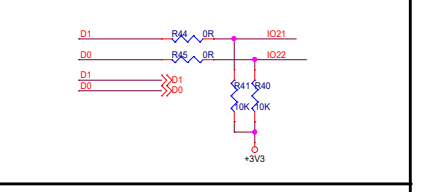
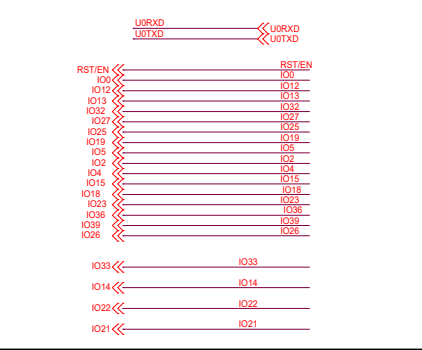
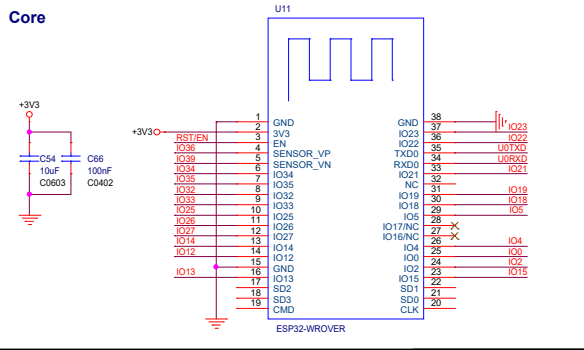
接口配置方法：
 四线SPI接口焊接：R3,R4
 三线SPI接口焊接：R2,R3
 IIC接口焊接：R1,R4,R6,R7,R8
 R8 可不焊接，官方手册要求焊接



Title		OV2640_V1.7	
Size	A	Document Number	3.0.96OLED
Date:		Tuesday, March 31, 2020	Sheet 3 of 5
		2	1



File	OV2640_V1.7		
Size	Document Number		Rev
B	4.OV2640		V1.7
Date:	Tuesday, March 31, 2020	Sheet	4 of 5



File		OV2640_V1.7	
Size	Document Number	5.ESP32-WROVER	
B		Rev	V1.7
Date:	Tuesday, March 31, 2020	Sheet	5 of 5